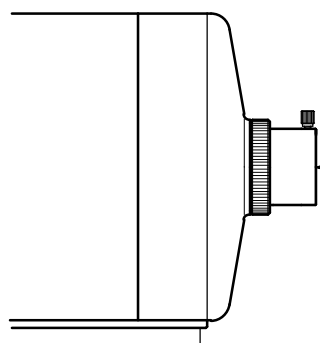


Mewlon-210 Photo/Visual System Chart

- 11. Extension tube (S) [TKP00105]
- 13. 50.8 sleeve [TKP00113]
- 14. Coupling (S) [TKP00103]
- 18. Flattener/Reducer [TKA70581]
- 26. 5-turret [TKA00401]
- 30. Prime focus ring [TKA00206]
- 32. T-mount



- 33. Wide T-mount
- 34. 35mm SLR/DSLR camera
- 35. Prime focus ring (50.8) [TKA00207]
- 36. TCA-4 (31.7) [TKA00210]
- 46. Ocular adapter (31.7) [TKP00101]
- 47. Ocular (31.7mm)
- 48. Ocular (50.8mm)
- 49. Diagonal prism (31.7) [TKA00541]
- 74. Diagonal mirror (50.8) [TKA00543]
- 75. Adapter (DM) [TKA00111]
- 90. Twin viewer [TKA00410]

